

TECHNICAL ASSISTANCE

When trouble is reported, verify there are no broken connections to the unit. Assistance in troubleshooting is available from the factory. When calling, you should have a VOM and a lineman's test set available and be calling from the job site. Call (540) 563-2000 and press 1 for Technical Support, or visit our website at <http://www.valcom.com>.

Valcom equipment is not field repairable. Valcom, Inc. maintains service facilities in Roanoke, VA. Should repairs be necessary, attach a tag to the unit clearly stating your company name, address, phone number, contact person and the nature of the problem. Send the unit to:

**Valcom, Inc.
Repair and Return Dept.
5614 Hollins Road
Roanoke, VA 24019-5056**

VALCOM LIMITED WARRANTY

Valcom, Inc. warrants its products to be free from defects in materials and workmanship under conditions of normal use and service for a period of one year from the date of shipment. The obligation under this warranty shall be limited to the replacement, repair or refund of any such defective device within the warranty period, provided that:

1. inspection by Valcom, Inc. indicates the validity of the claim;
2. the defect is not the result of damage, misuse or negligence after the original shipment;
3. the product has not been altered in any way or repaired by others and that factory sealed units are unopened (a service charge plus parts and labor will be applied to units defaced or physically damaged);
4. freight charges for the return of products to Valcom are prepaid;
5. all units 'out of warranty' are subject to a service charge. The service charge will cover minor repairs (major repairs will be subject to additional charges for parts and labor).

This warranty is in lieu of and excludes all other warranties, expressed or implied, and in no event shall Valcom, Inc. be liable for any anticipated profits, consequential damages, loss of time or other losses incurred by the buyer in connection with the purchase, operation or use of the product.

This warranty specifically excludes damage incurred in shipment. In the event a product is received in damaged condition, the carrier should be notified immediately. Claims for such damage should be filed with the carrier involved in accordance with the F.O.B. point.

Headquarters:
Valcom, Inc.
5614 Hollins Road
Roanoke, VA 24019-5056
Phone: (540) 563-2000
FAX: (540) 362-9800

VALCOM SIGNATURE SERIES™, HIGH FIDELITY

INSTALLATION INSTRUCTIONS FOR

VALCOM

SIGNATURE SERIES™, HIGH FIDELITY

AMPLIFIED MONITOR SPEAKER



MODEL NO. V-1440

Issue 5

SELF-AMPLIFIED MONITOR SPEAKER

947144

The Valcom Signature Series™ Monitor Speaker, V-1440, is a high-fidelity, self-amplified (5 Watt) speaker that may be used to provide one-way paging and high quality music reproduction from any Valcom one-way or talkback page control. This speaker has an externally accessible volume control located behind the grille and is screwdriver adjustable. The V-1440 will cover an area up to 600 square feet and should be spaced 20 feet apart. Good quality paging and music will be heard up to 30 feet in front of the speaker. The V-1440 requires -24VDC, 300mA (6 Valcom power units). The speaker is available in white, black, brown and gray with a color coordinated cloth grille. Custom colors are available upon request.

Model V-1440-BK	Black
Model V-1440-W	White
Model V-1440-BR	Brown
Model V-1440-GY	Gray

WIRING

Make connections as shown in Figure 1. Insert stripped wire (approximately 3/16") into appropriate terminal (See Figure 2) and clamp the wire by turning the screw. Each connector accepts 18 to 24 AWG wire.

Note: *No power amplifier is required. Do not connect this speaker directly to a 25/70/100 Volt amplifier as damage to both the amplifier and speaker may occur. (Recommended nominal input level to the V-1440 is -10dBm).*

CONNECTIONS

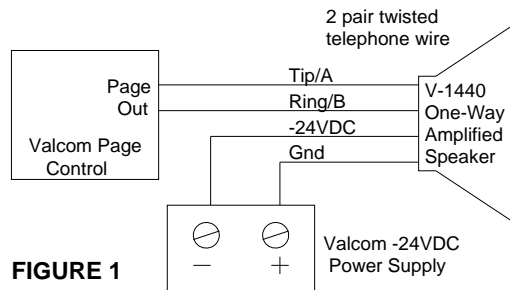


FIGURE 1

Recommended Quantity of Speakers per Specific Power Run (Standard Category 3 Twisted Pair Telephone Wire)

Speakers per Power Run	Wire Run Length (Feet)	
	24 AWG	22 AWG
V-1440		
4	125	200
2	250	400
1	500	800

MOUNTING

1. The baffle can be hung from a nail or hook by the "keyhole" that is attached to the back of the housing. (See Figure 2).
2. The unit can be mounted to an optional mounting bracket, (V-9804). This bracket can then be secured to a surface. The bracket is attached to the speaker brass inserts with screws provided. (See Figure 3).

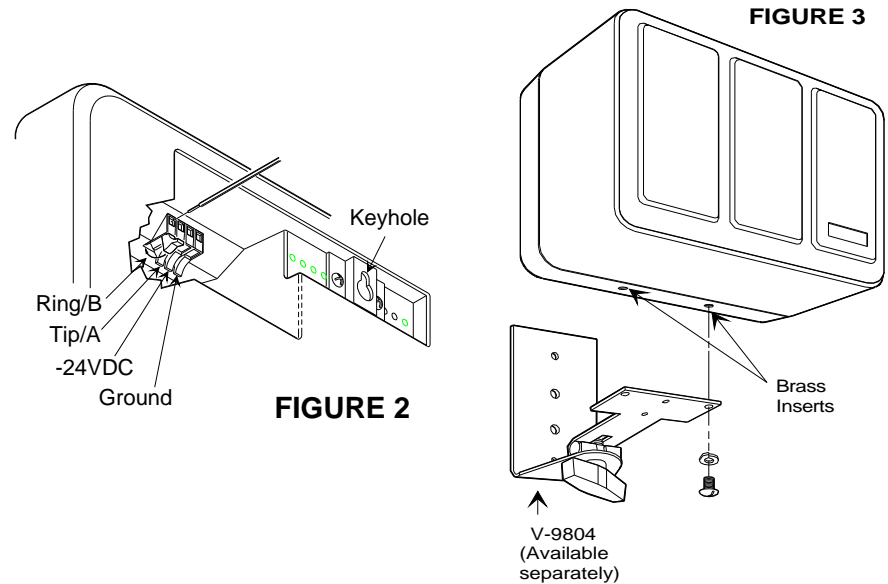


FIGURE 2

FIGURE 3

TROUBLESHOOTING CHART

SYMPTOMS	ACTIONS
No audio from speaker	<ol style="list-style-type: none"> 1. Verify volume control is turned up (clockwise). 2. Using a lineman's test set, check for proper audio level on Tip/A and Ring/B leads and if necessary at the source.
Low volume from speaker	<ol style="list-style-type: none"> 1. Verify volume control is turned up. 2. Check voltage at the speaker when in use, (-18 to -24 VDC required). 3. Using a lineman's test set, check for proper audio level on Tip/A and Ring/B leads. It is possible some low level audio will be heard with only one side of Tip/A and Ring/B connected.
Loud squeal (feedback)	<ol style="list-style-type: none"> 1. Decrease volume of speaker (counterclockwise). 2. Increase the distance between telephone and speaker. 3. Install confidencer on the telephone in severe problem areas.

Dimensions/Weight

- 7.00"H x 10.30"W x 4.70"D (17.78cm H x 26.16cm W x 11.94cm D)
- 5.2 lbs. (2.36 kg)