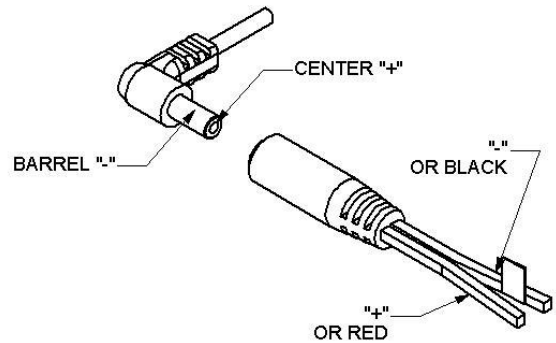


VP-324D 24VDC POWER SUPPLY

The VP-324D is a regulated filtered Power Supply which provides 24VDC 300mA. The output is floating and short circuit protected. Indoor use only.

- INPUT: 115V, 60HZ, 0.11A
AC Apparent Power 13VA
Level VI efficiency
- OUTPUT: 24VDC 300mA
5.5mm x 2.5mm Connector
Center Positive



Technical Assistance (540)563-2000
or www.valcom.com.

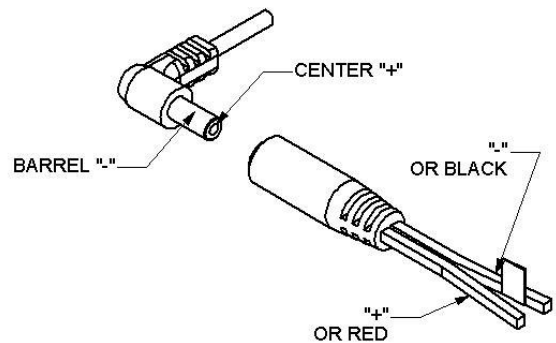
Issue 3

947324-D

VP-324D 24VDC POWER SUPPLY

The VP-324D is a regulated filtered Power Supply which provides 24VDC 300mA. The output is floating and short circuit protected. Indoor use only.

- INPUT: 115V, 60HZ, 0.11A
AC Apparent Power 13VA
Level VI efficiency
- OUTPUT: 24VDC 300mA
5.5mm x 2.5mm Connector
Center Positive



Technical Assistance (540)563-2000
or www.valcom.com.

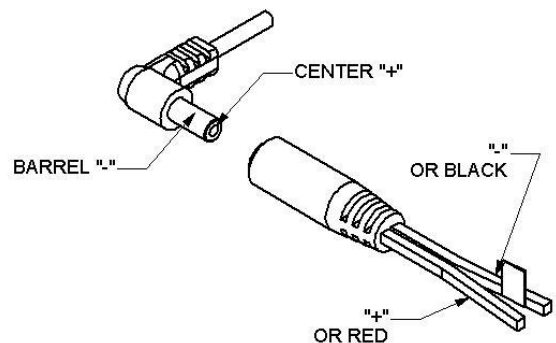
Issue 3

947324-D

VP-324D 24VDC POWER SUPPLY

The VP-324D is a regulated filtered Power Supply which provides 24VDC 300mA. The output is floating and short circuit protected. Indoor use only.

- INPUT: 115V, 60HZ, 0.11A
AC Apparent Power 13VA
Level VI efficiency
- OUTPUT: 24VDC 300mA
5.5mm x 2.5mm Connector
Center Positive



Technical Assistance (540)563-2000
or www.valcom.com.

Issue 3

947324-D